

A

B

C

D

E

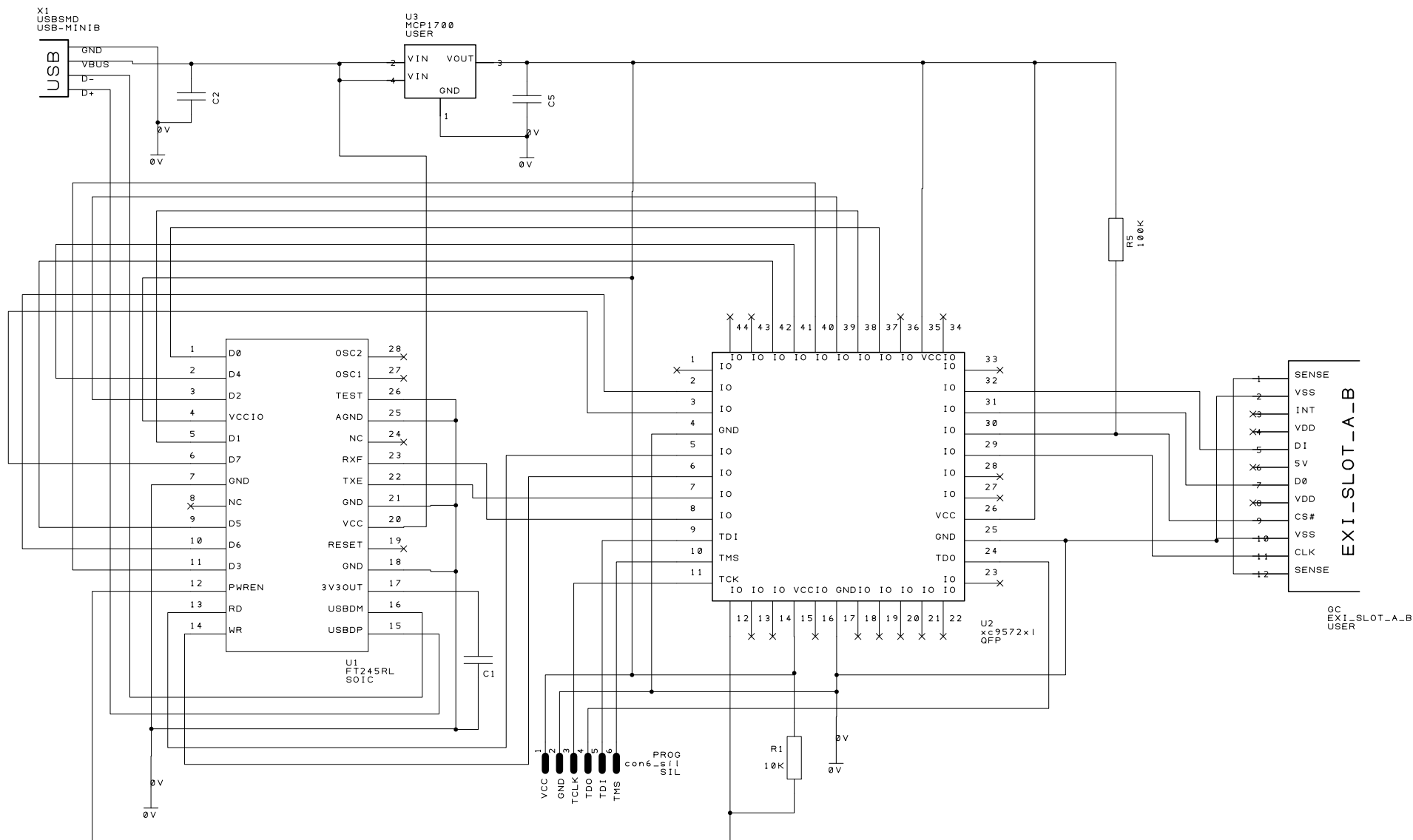
F

1

2

3

4



PROJECT: SHURIKEN GECKO USB
 DRAWING TITLE:
 DRAWN BY: S. TAFFS REVISION: 2
 SHEET: 1 STATUS: PROTO
 DATE: 12/4/15 DESIGNSPARK PCB available for FREE at [www.](http://www.designspark.com)

