

A

B

C

D

E

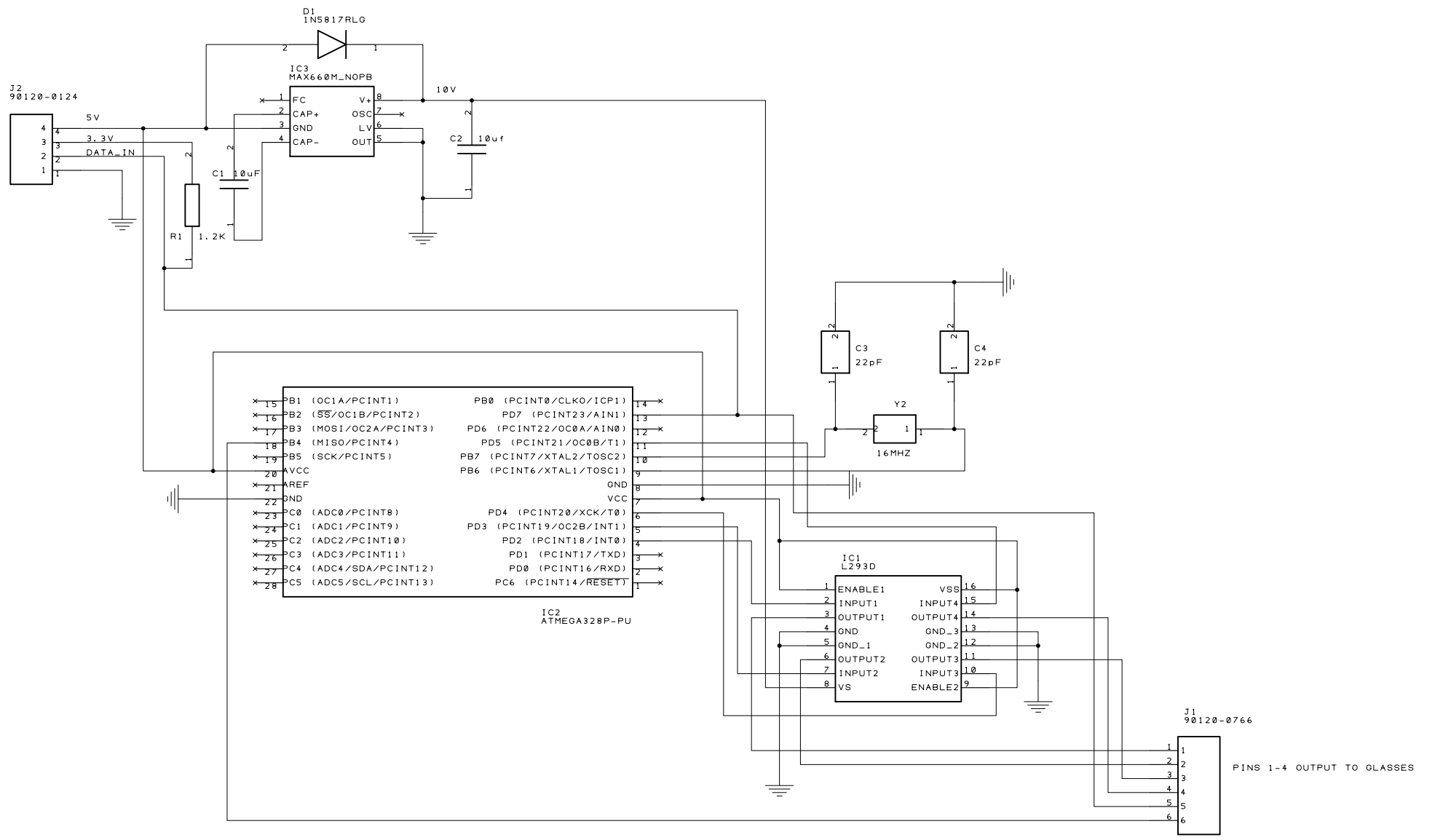
F

1


2

3

4



PROJECT: GC SHUTTER CONTROLLER
 DRAWING TITLE:
 DRAWN BY: S.TAFFS REVISION: 0.1
 SHEET: 1 OF 1 STATUS: PROTOTYPE
 DATE: 23/9/2017



DESIGNSPARK PCB available for FREE at www.DesignSpark.com/PCB