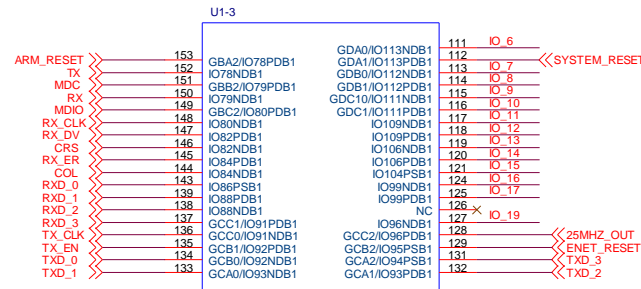
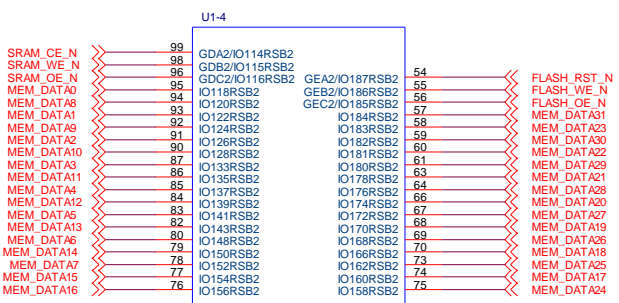
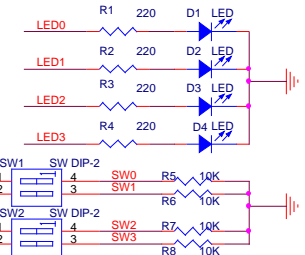
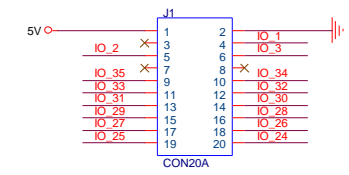


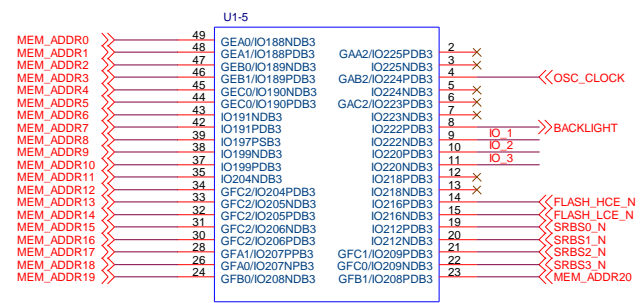
M7A3P1000



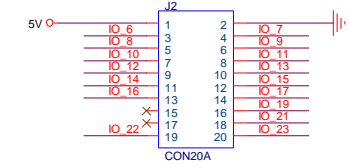
M7A3P1000



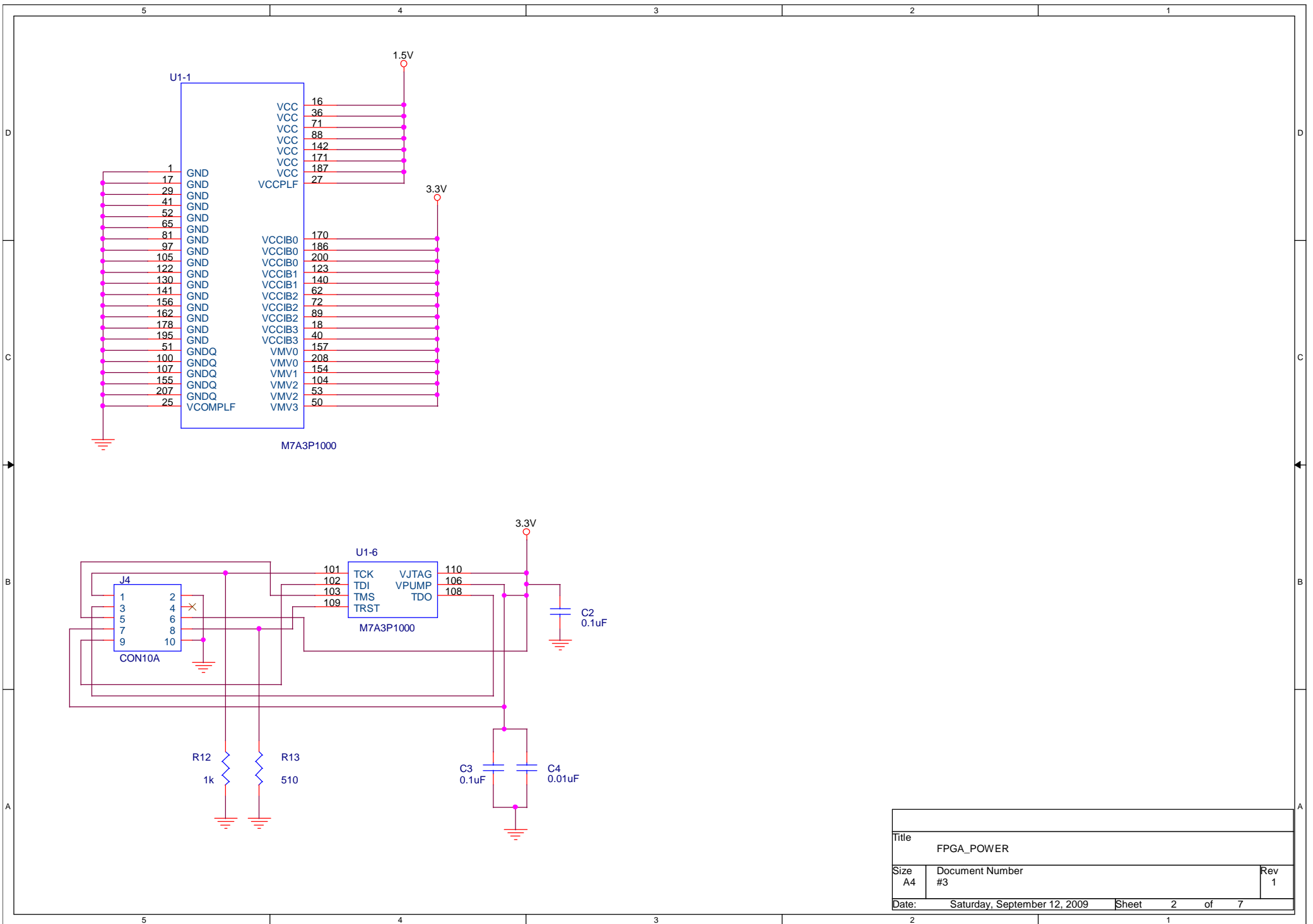
M7A3P1000



M7A3P1000

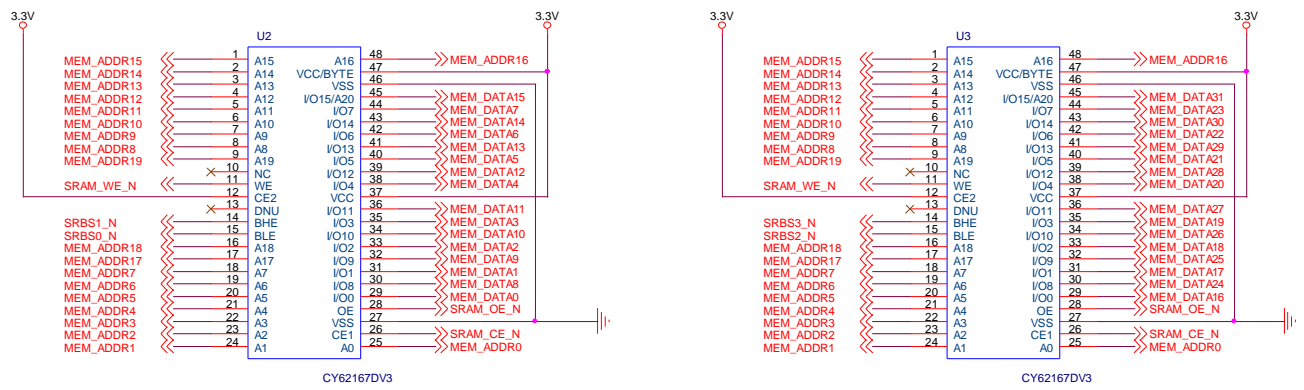


Title		
FPGA_IO		
Size	Document Number	Rev
A3	#3	1
Date:	Saturday, September 12, 2009	Sheet 1 of 7

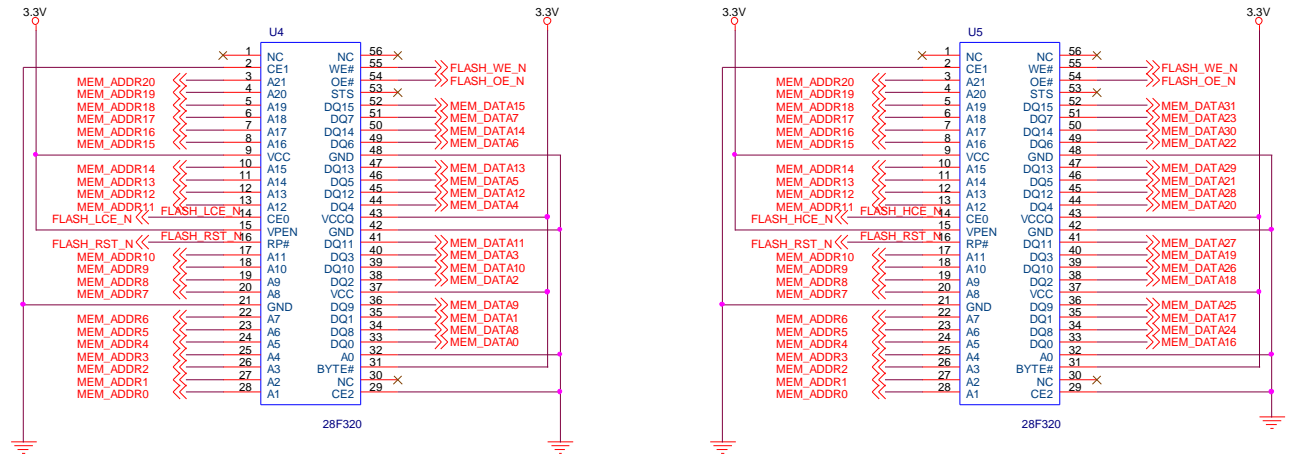


Title		
FPGA_POWER		
Size	Document Number	Rev
A4	#3	1
Date:	Saturday, September 12, 2009	Sheet 2 of 7

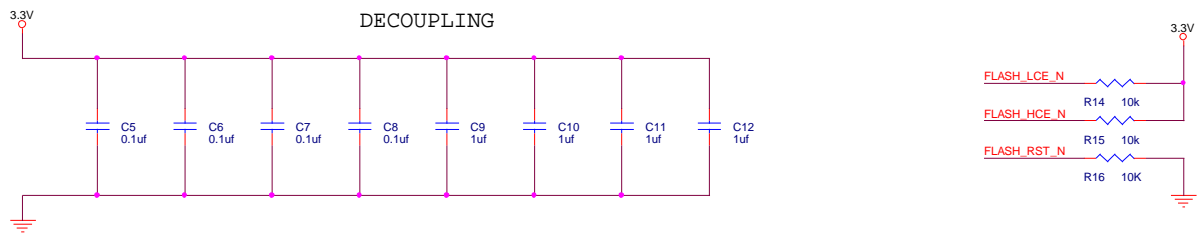
4MEG SRAM



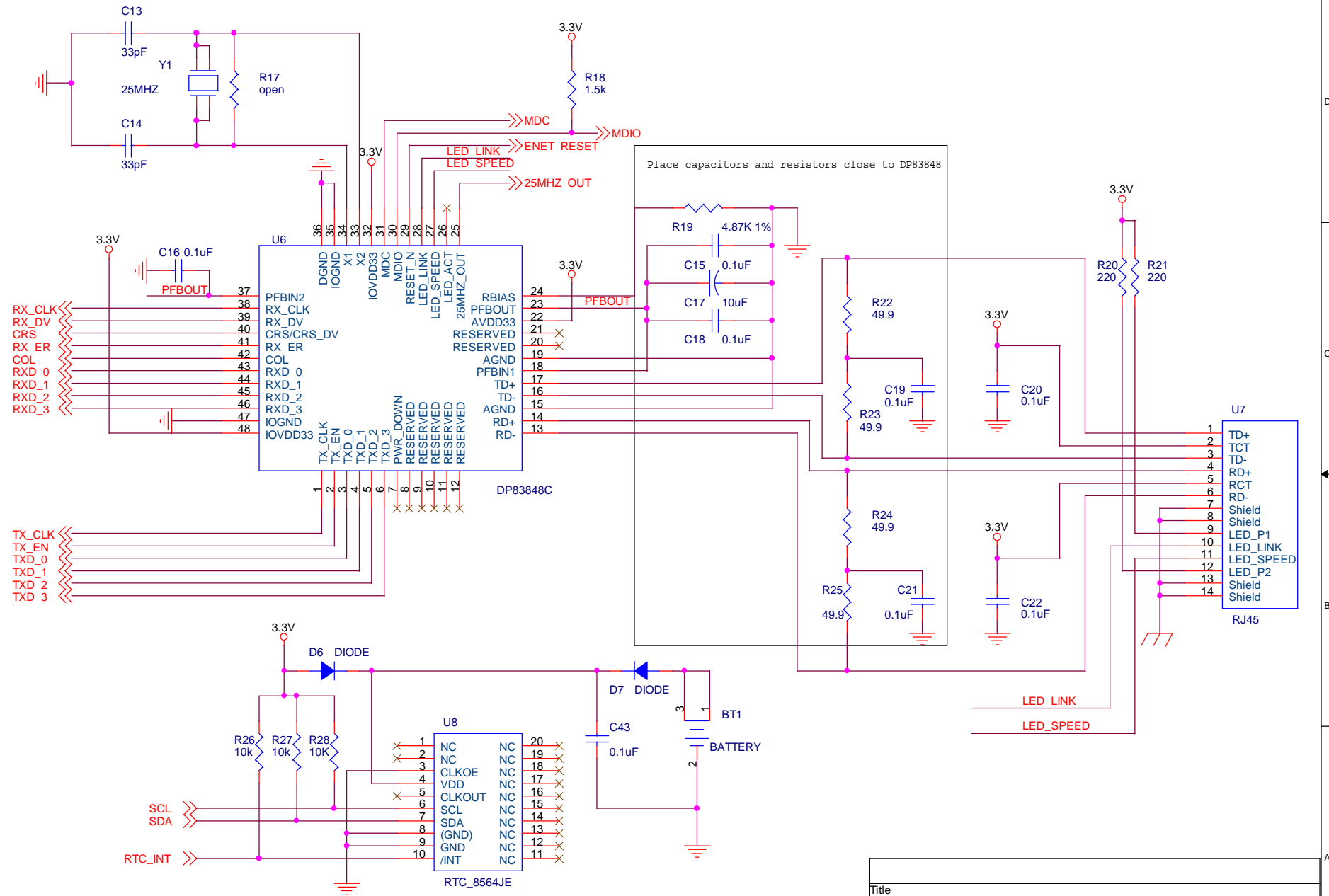
8MEG FLASH



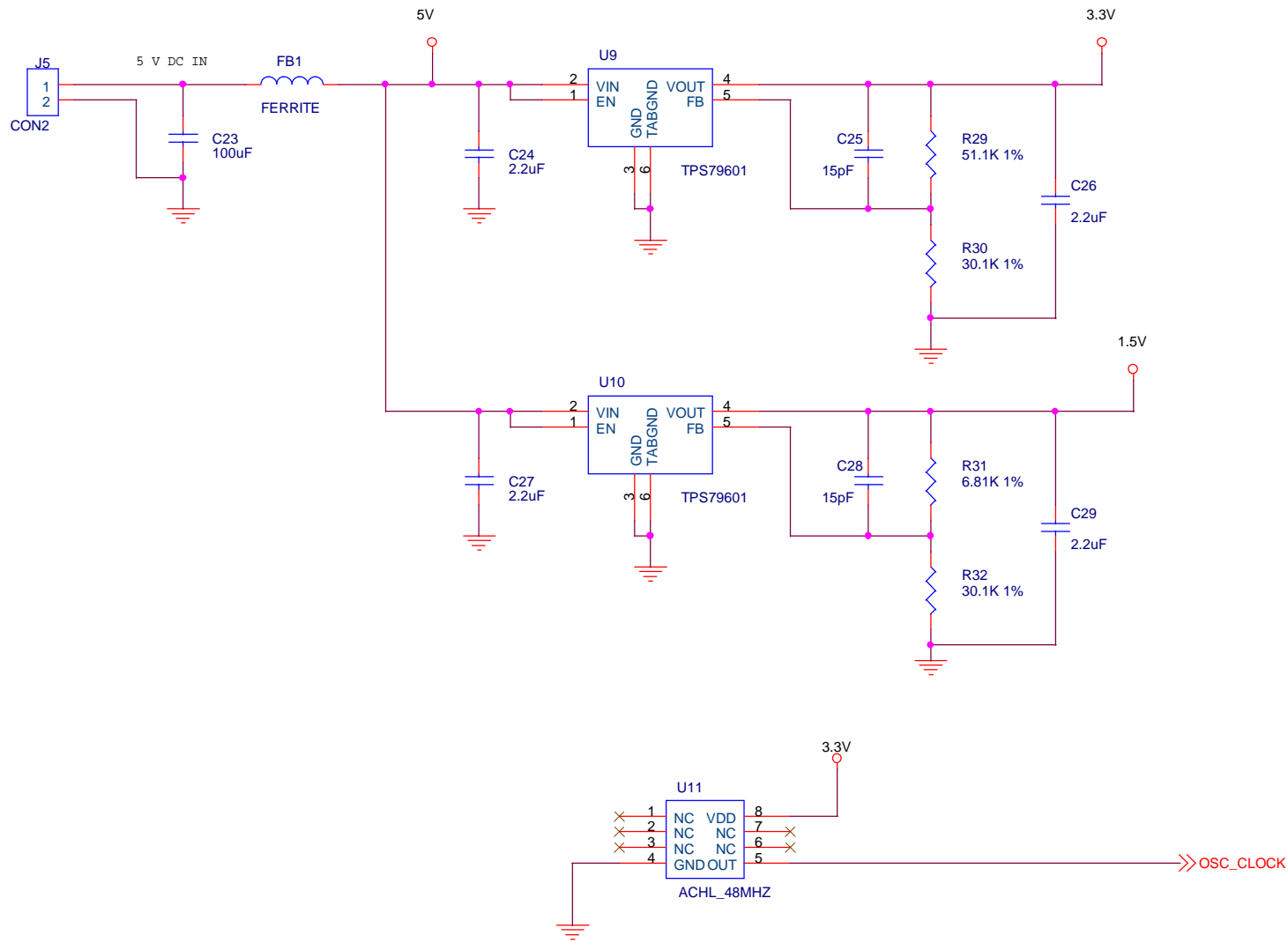
DECOUPLING



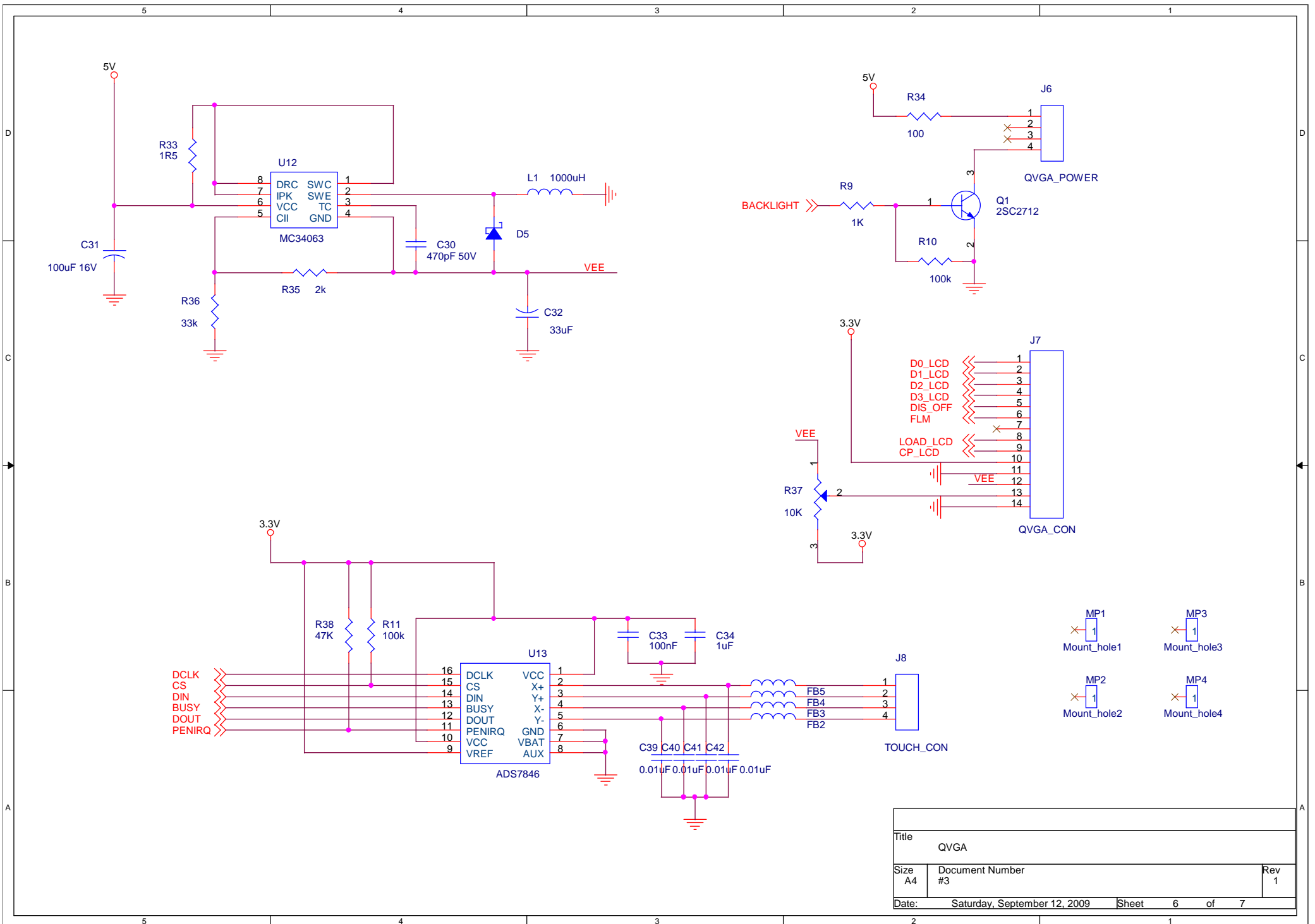
Title		
MEMORY		
Size	Document Number	Rev
A3	#3	1
Date:	Saturday, September 12, 2009	Sheet 3 of 7



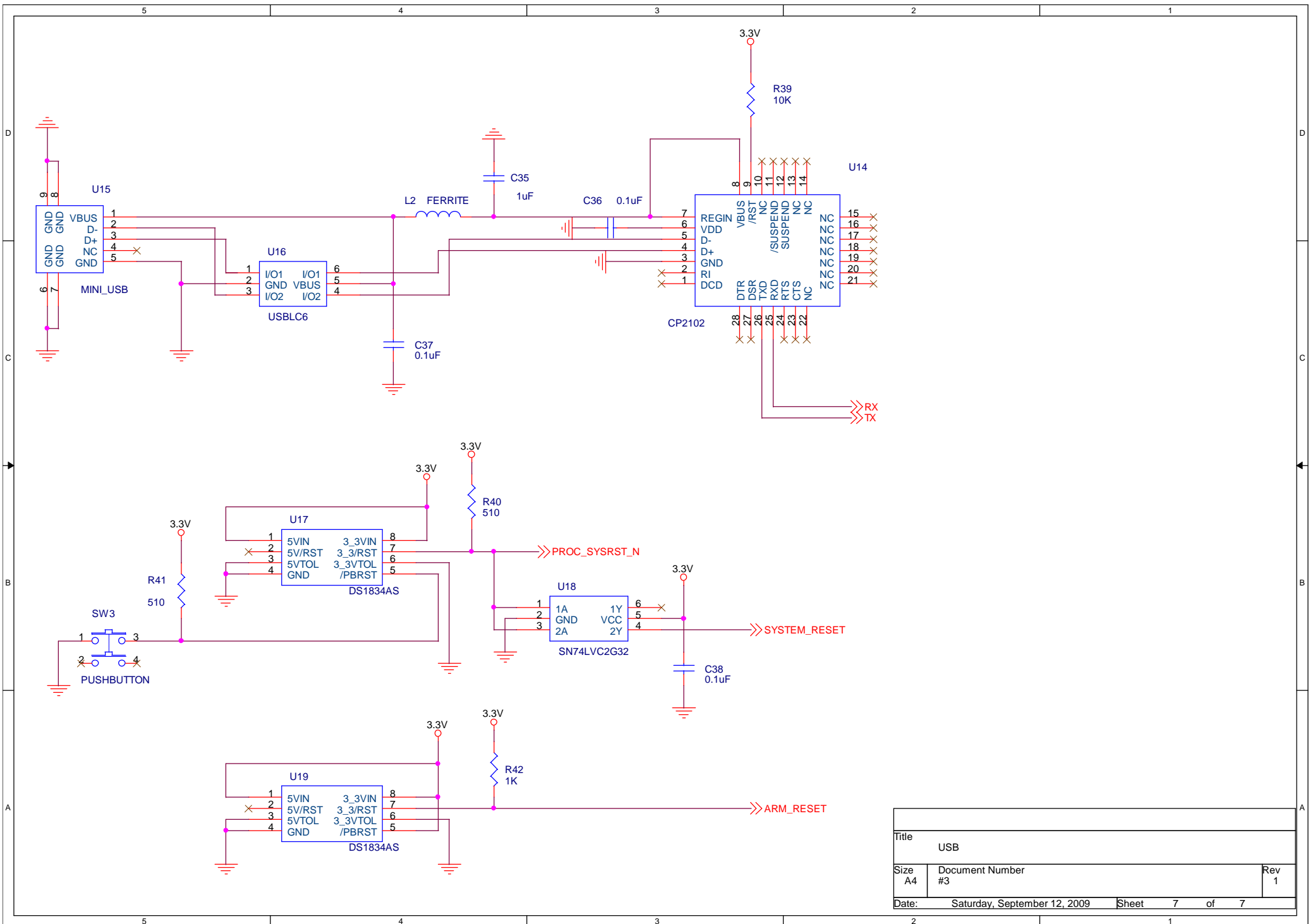
Title		
NETWORK_RTC		
Size	Document Number	Rev
A4	#3	1
Date:	Saturday, September 12, 2009	Sheet 4 of 7



Title		
POWER		
Size	Document Number	Rev
A4	#3	#1
Date:	Saturday, September 12, 2009	Sheet 5 of 7



Title		
QVGA		
Size	Document Number	Rev
A4	#3	1
Date:	Saturday, September 12, 2009	Sheet 6 of 7



Title		
USB		
Size	Document Number	Rev
A4	#3	1
Date:	Saturday, September 12, 2009	Sheet 7 of 7